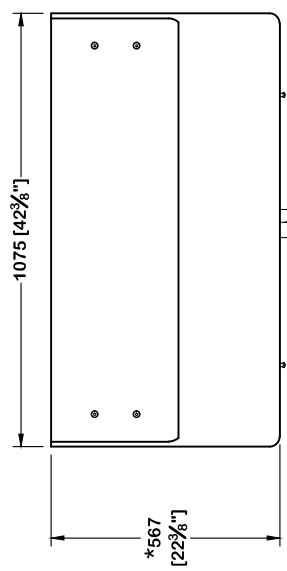
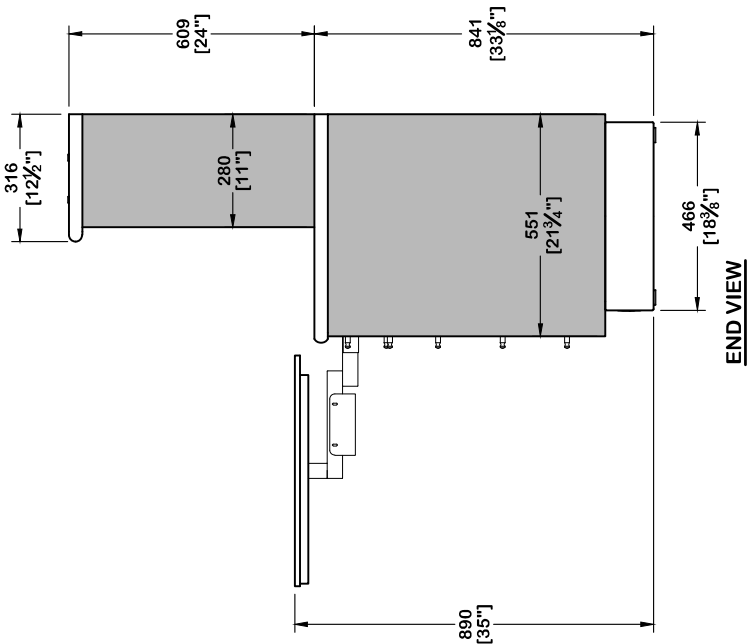
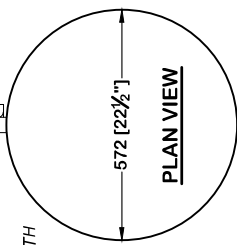


STANDARD REAR SUPPORT CONFIGURATION. SHOWN WITH WORK SURFACE OPTION '3' DUO SWING TABLE. PLEASE SEE RS-OPTION PAGES FOR NUMEROUS WORK SURFACE, HUTCH, AND BASE MODULE CONFIGURATIONS.

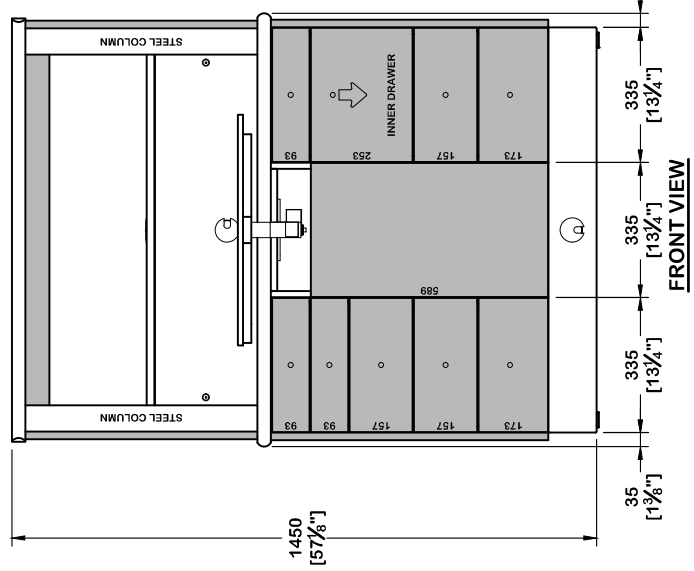
● ACCENT COLOR  
○ BASE COLOR



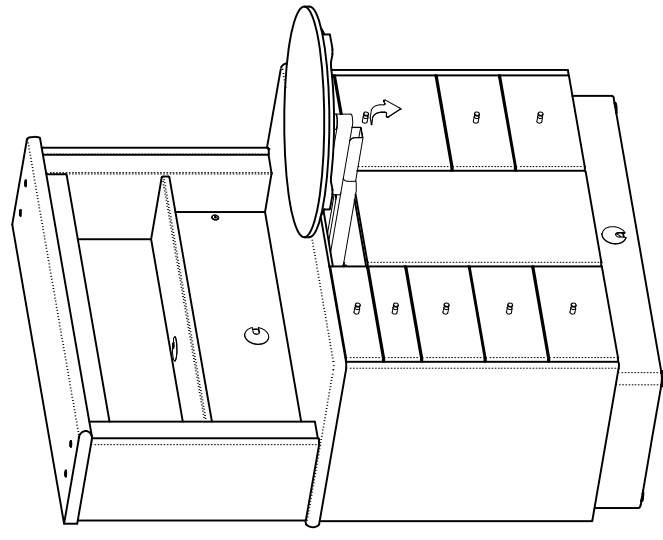
\*ALSO AVAILABLE IN 19" DEPTH



END VIEW



FRONT VIEW



ISOMETRIC VIEW

DRAWING DETAIL		DRAWING NAME	
REAR SUPPORT - 23" DEEP HUTCH CAP		RS-23-CAP	
DRAWN BY	DATE	SCALE	VIEW
MLW	05-JUL-18	NTS	AS SHOWN
COPYRIGHT NOTICE			
© Copyright of Bow Wood Dental Systems Inc. All Rights Reserved. No part of this drawing may be reproduced or distributed in any form without prior written permission from Bow Wood Dental			



SERIES:  SIGNATURE  MERIDIAN

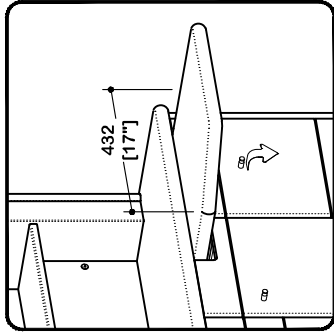
DEPTH:  19"  23"

COUNTER:  SOLID SURFACE  LAMINATE  STONE  COLOR: \_\_\_\_\_

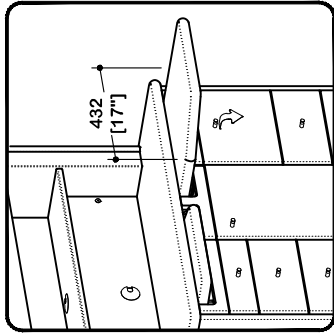
BASE COLOR: \_\_\_\_\_ ACCENT COLOR: \_\_\_\_\_

FINISHED BACK:  YES  NO  COLOR: \_\_\_\_\_  MONOTONE

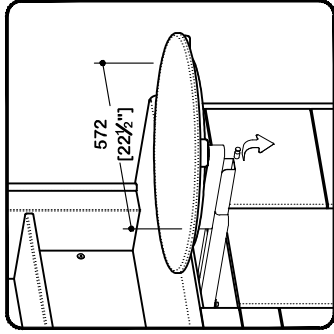
**WORK SURFACE OPTIONS**



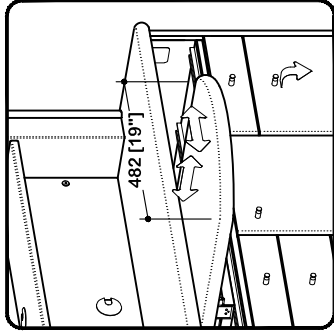
SINGLE PULLOUT  
 LEFT  RIGHT



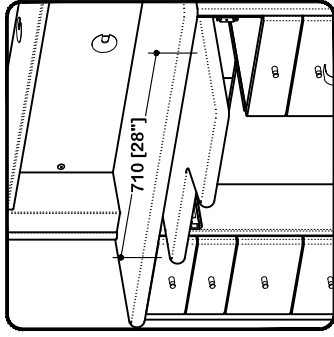
DUAL L/R SLIDING COUNTER



DUO SWING TABLE  
 ROUND  SQUARE

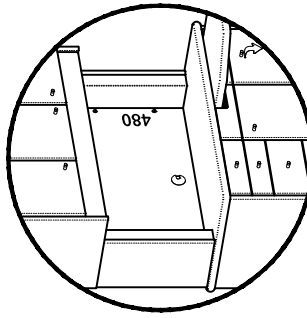


LINEAR SLIDING COUNTER

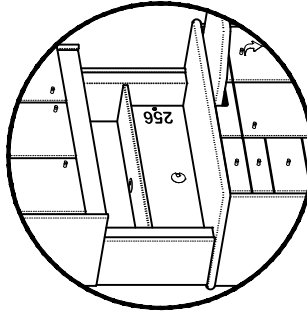


FOREST PULLOUT

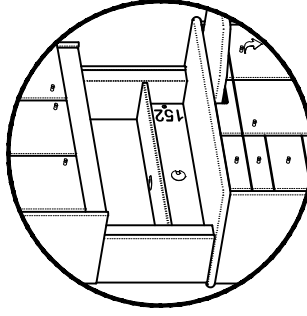
**HUTCH CONFIGURATIONS**



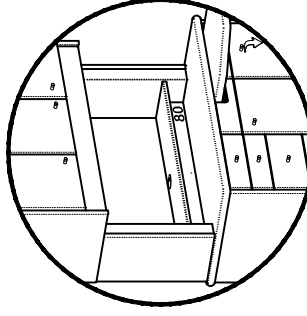
FULL SPLASH



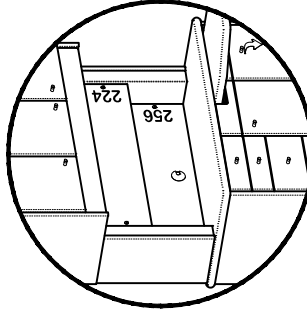
STANDARD SHELF



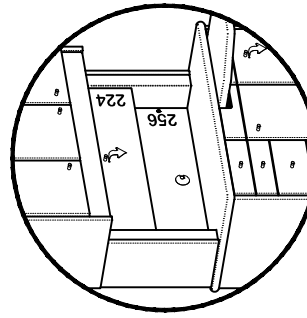
HALF HEIGHT SHELF



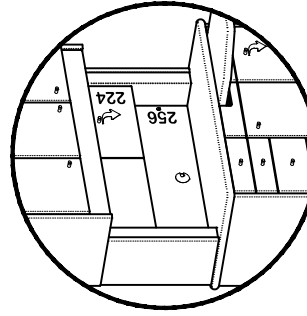
QUARTER HEIGHT SHELF



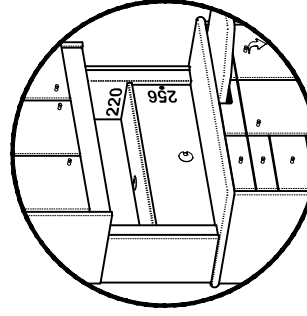
UPPER ACCESSORY PANEL



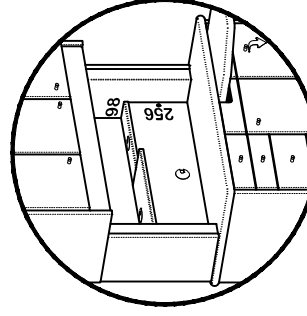
UPPER STORAGE



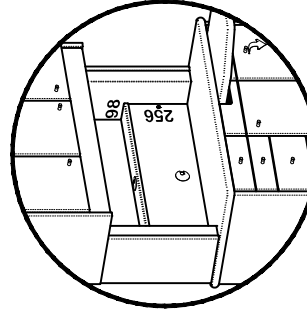
ACCESSORY / STORAGE



BASE ACCESSORY PANEL



SPLIT SHELF



SHALLOW SHELF

WORK SURFACE OPTION: \_\_\_\_\_

BASE MODULES: L: \_\_\_\_\_ C: \_\_\_\_\_ R: \_\_\_\_\_

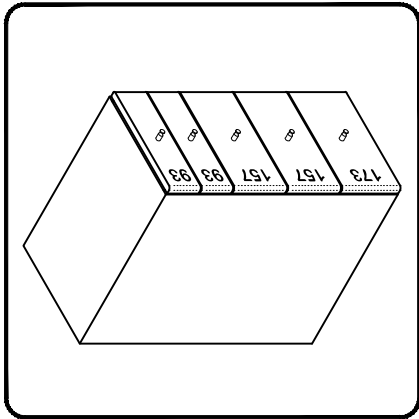
HUTCH CONFIGURATION: \_\_\_\_\_

CUSTOM NOTES: \_\_\_\_\_

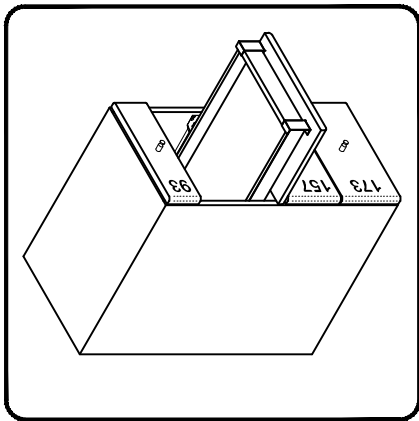


DRAWING NAME		RS-OPT-PG1	
REAR SUPPORT OPTIONS		PAGE 1 OF 2	
DRAWN BY	DATE	SCALE	VIEW
MLW	05-JUL-18	NTS	AS SHOWN
COPYRIGHT NOTICE			
© Copyright of Bow Wood Dental Systems Inc. All Rights Reserved. No part of this drawing may be reproduced or distributed in any form without prior written permission from Bow Wood Dental			

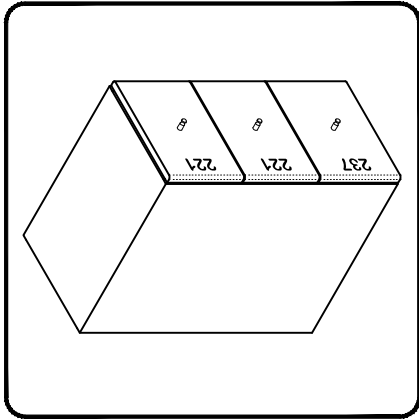
**BASE MODULES**  
(MOST MODULES CAN BE CONVERTED TO SIDE OPENING)



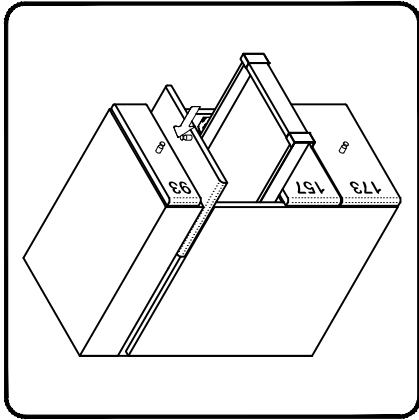
DOCTOR'S



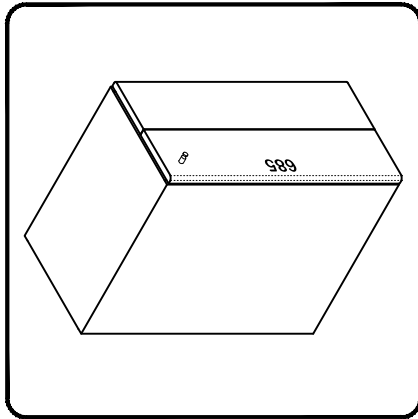
ASSISTANT'S



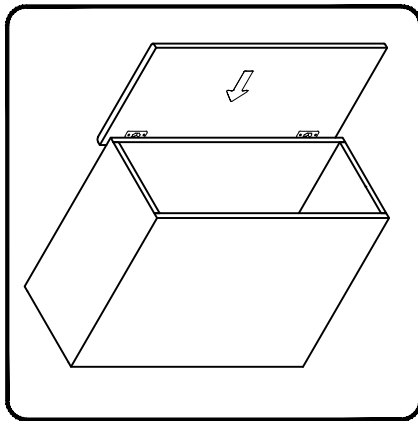
EQUIPMENT



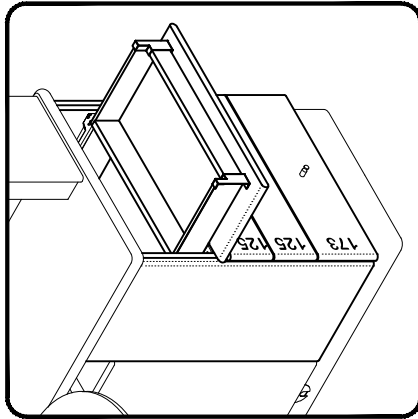
FLIP & PUSH



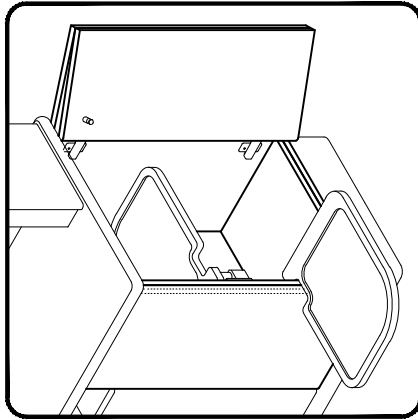
BI-FOLD



POCKET



SIDE OPENING ASSISTANT'S



SIDE OPENING SWING TRAY

WORK SURFACE OPTION: \_\_\_\_\_

BASE MODULES: L: \_\_\_\_\_ C: \_\_\_\_\_ R: \_\_\_\_\_

HUTCH CONFIGURATION: \_\_\_\_\_

CUSTOM NOTES: \_\_\_\_\_



DRAWING NAME		RS-OPT-PG2	
REAR SUPPORT OPTIONS		SCALE	VIEW
PAGE 2 OF 2		NTS	AS SHOWN
DRAWN BY	DATE	DATE	DATE
MLW	05-JUL-18		
COPYRIGHT NOTICE			
© Copyright of Bow Wood Dental Systems Inc. All Rights Reserved. No part of this drawing may be reproduced or distributed in any form without prior written permission from Bow Wood Dental			