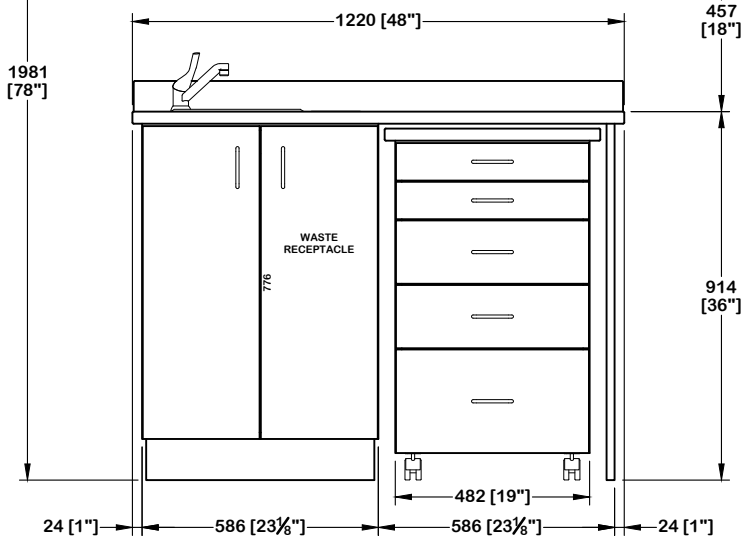
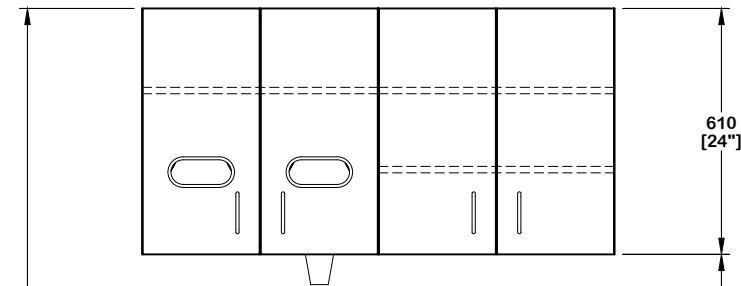
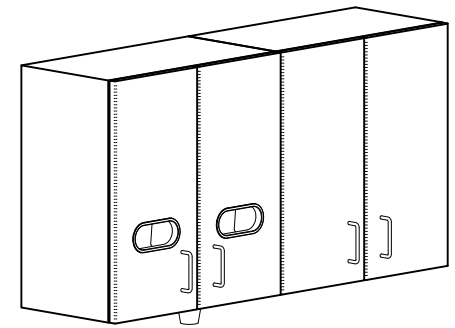
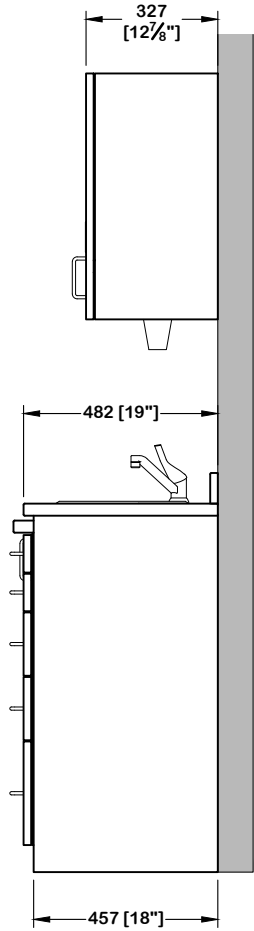


**PLAN VIEW**

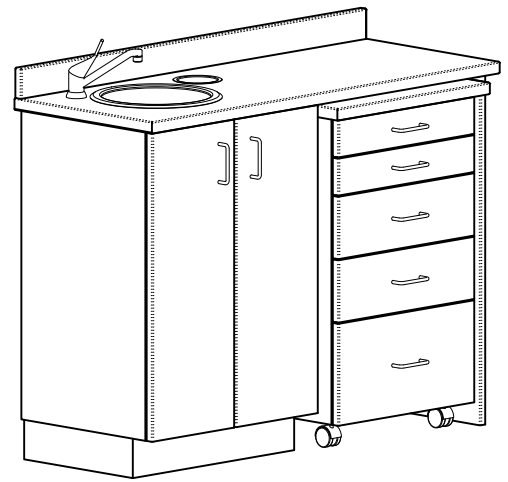
SHOWN WITH SINK LEFT OPTION, SINK LEFT OPTION AVAILABLE. SEE MEDICAL CABINET OPTION PAGE FOR NUMEROUS CONFIGURATIONS.



**FRONT VIEW**



**END VIEW**



HEIGHT:  32"  36"  
 DEPTH:  19"  24"  
 COUNTER:  SOLID SURFACE  LAMINATE  STONE COLOR: \_\_\_\_\_  
 BASE COLOR: \_\_\_\_\_ ACCENT COLOR: \_\_\_\_\_  
 FINISHED BACK:  YES  NO COLOR: \_\_\_\_\_  MONOTONE



PROJECT	MEDICAL CABINETS MERIDIAN SERIES	DRAWING DETAIL	EXAM ROOM STANDARD UNIT - OPTION 2
REFERENCE DRAWING		DRAWN BY/DATE	SCALE
		M.L.W. 31-MAY-19	NTS
DRAWING NAME	EX2		REV.