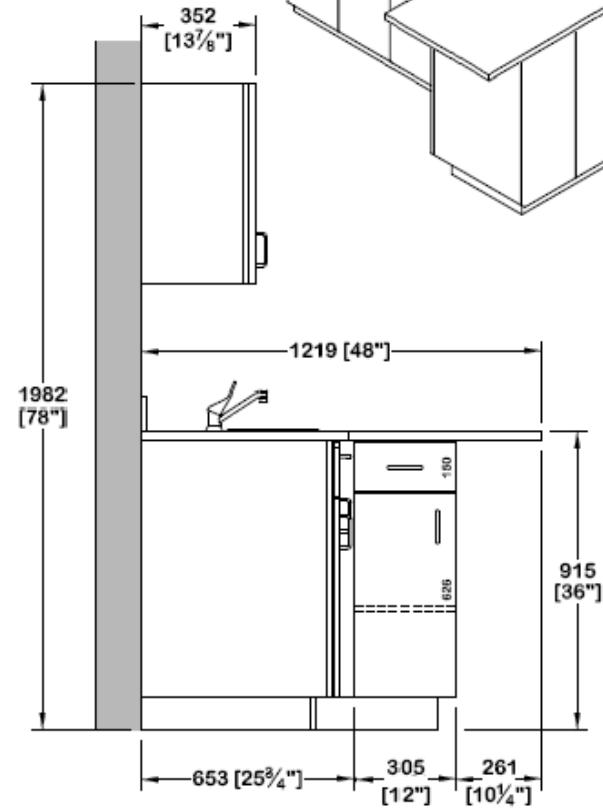
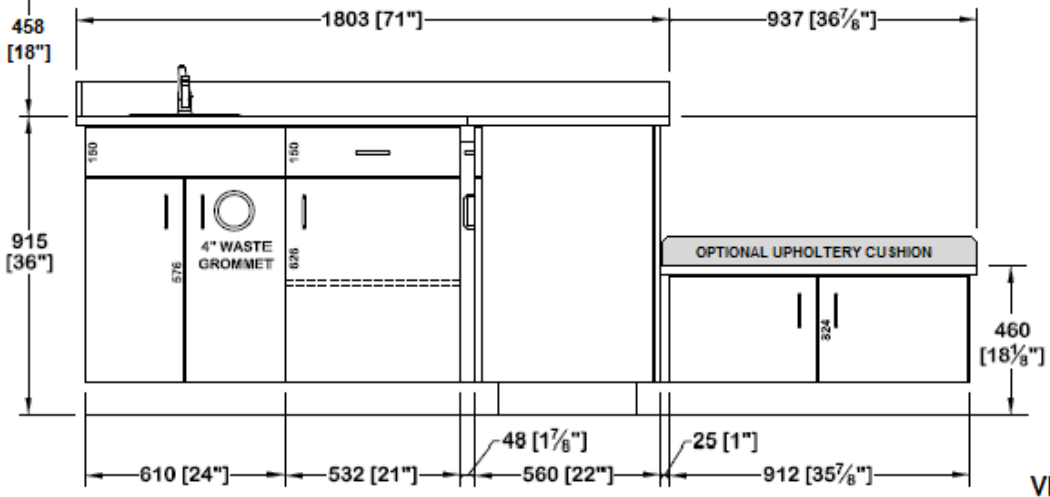
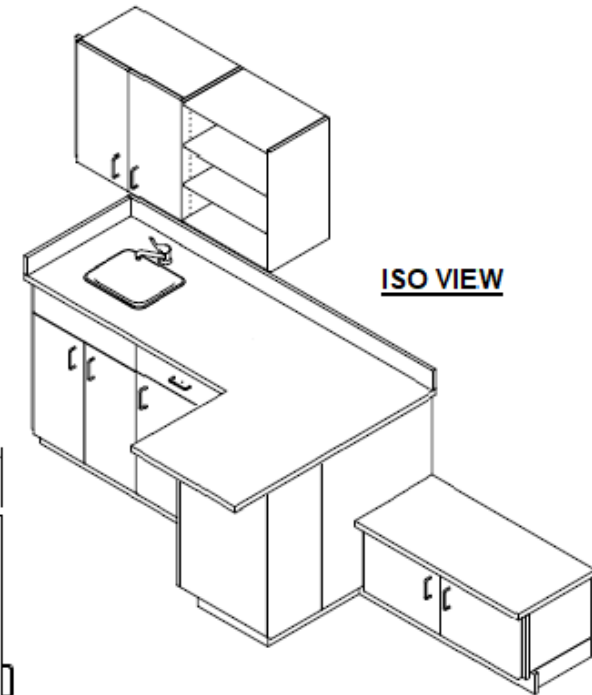
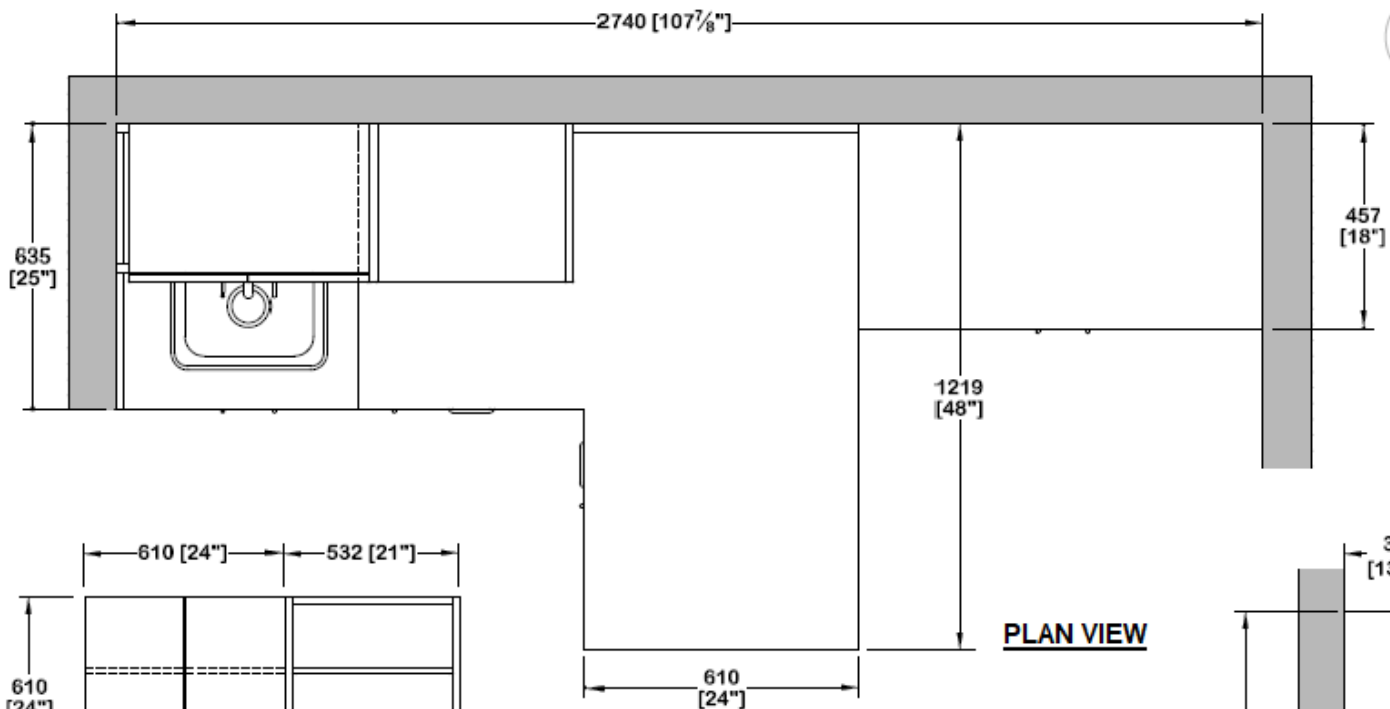


SEE VETERINARY CABINET OPTION PAGE FOR  
NUMEROUS MODULE CONFIGURATIONS




<b>BowWood</b> cabinet systems	PROJECT <b>VETERINARY CABINETS</b>		DRAWING DETAIL <b>EXAM ROOM</b>	
	REFERENCE DRAWING	SCALE N. T. S.	DATE	DRAWN BY
	DRAWING NAME <b>V1000</b>		REV.	▲