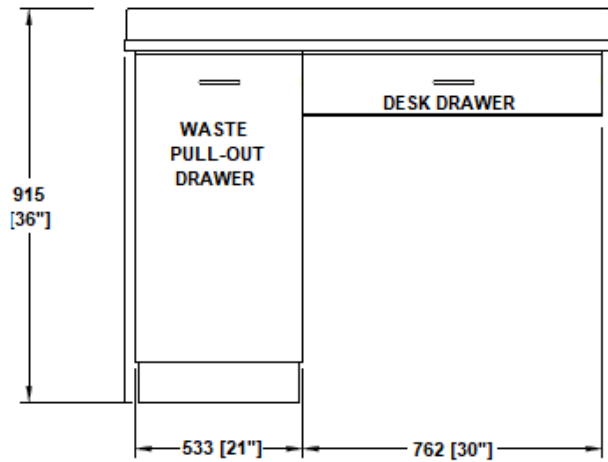
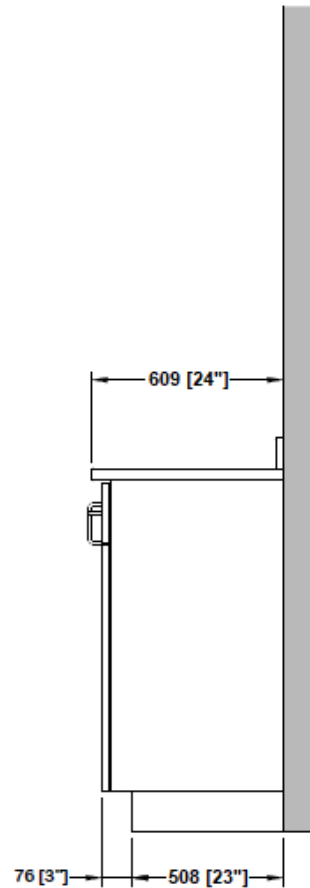


PLAN VIEW

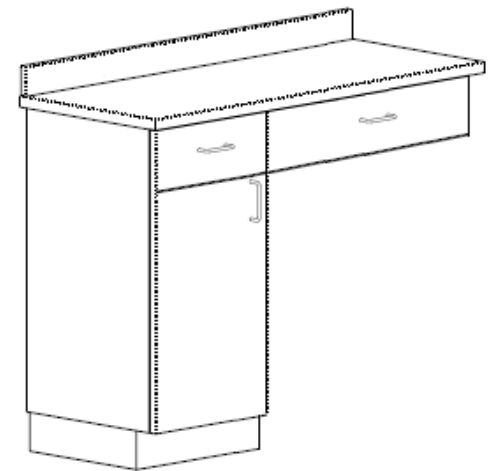
SHOWN WITH LEFT MODULE OPTION, RIGHT OPTION AVAILABLE. SEE VETERINARY CABINET PAGE FOR NUMEROUS CONFIGURATIONS.



FRONT VIEW



END VIEW



HEIGHT: 32" 36"
 DEPTH: 19" 24"
 COUNTER: SOLID SURFACE LAMINATE STONE COLOR: _____
 BASE COLOR: _____ ACCENT COLOR: _____
 FINISHED BACK: YES NO COLOR: _____ MONOTONE



PROJECT	DRAWING TITLE	
VETERINARIAN CABINETS	EXAM ROOM STANDARD UNIT - OPTION 2	
REFERENCE DRAWING	DRAWN BY DATE	SCALE
		28-FEB-20 NTS
DRAWING NAME	REV	
V4000	A	