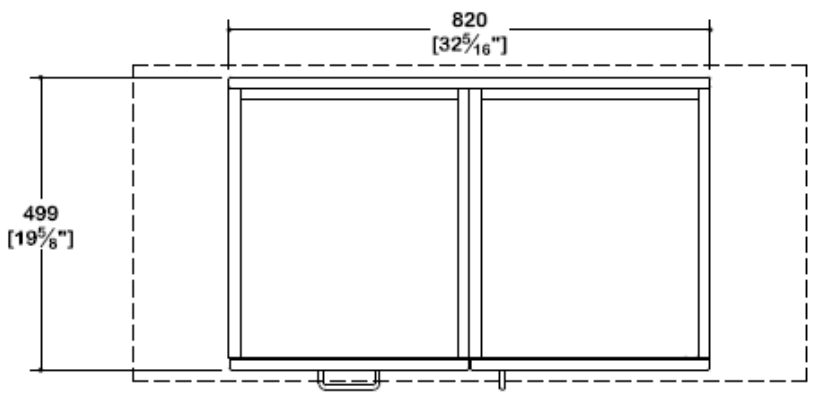
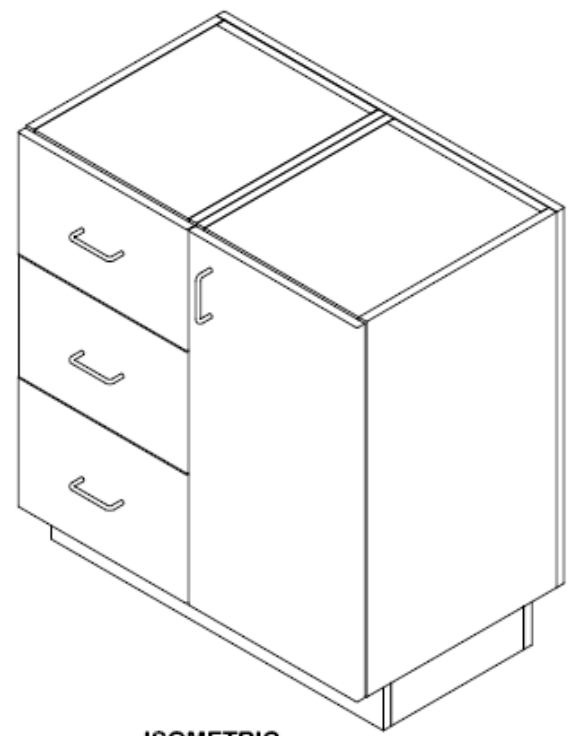


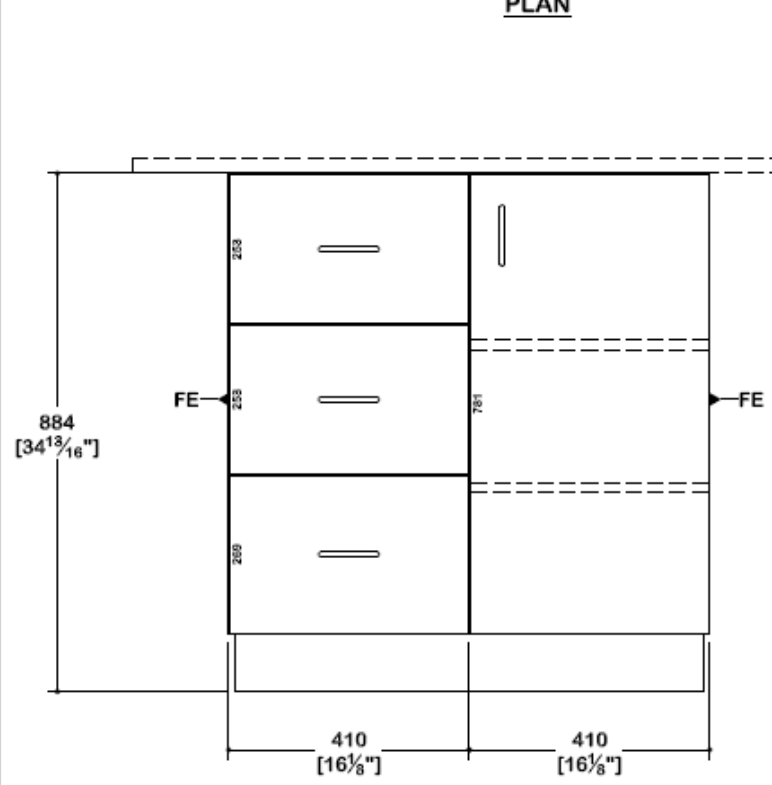
SEE VETERINARY CABINET OPTION PAGE FOR  
 NUMEROUS MODULE CONFIGURATIONS



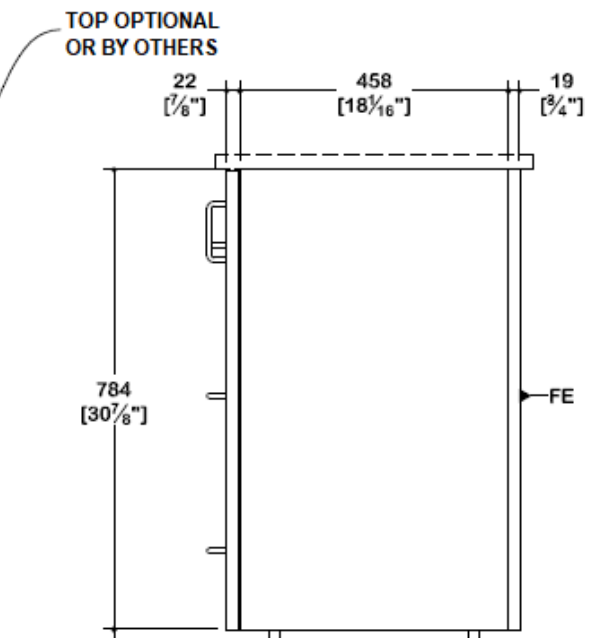
PLAN



ISOMETRIC



FRONT ELEVATION



END ELEVATION

HEIGHT:  32"  36"  
 DEPTH:  19"  24"  
 COUNTER:  SOLID SURFACE  LAMINATE  STONE COLOR: \_\_\_\_\_  
 BASE COLOR: \_\_\_\_\_ ACCENT COLOR: \_\_\_\_\_  
 FINISHED BACK:  YES  NO COLOR: \_\_\_\_\_  MONOTONE



PROJECT	DRAWING TITLE <b>EXAMINATION TABLE BASE</b>	
DATE	DRAWN BY M.L.W.	DATE 28-FEB-20
SCALE	NTS	
DRAWING NAME <b>EXB</b>		REV 