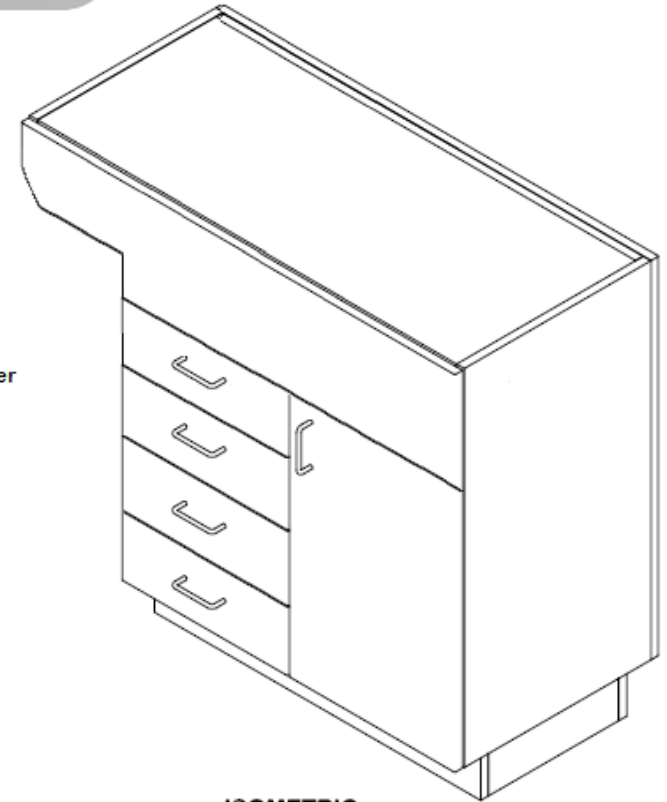
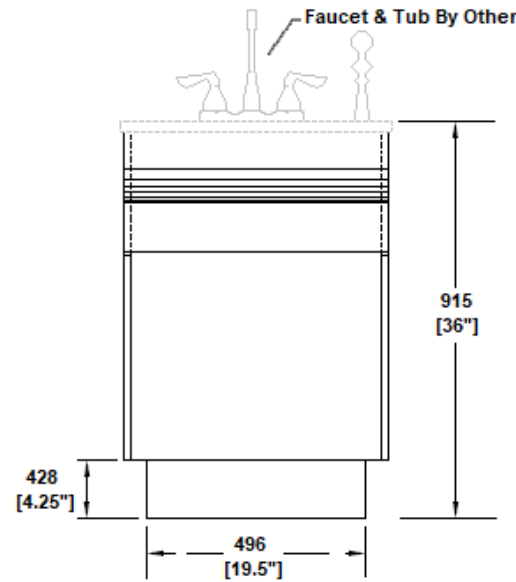
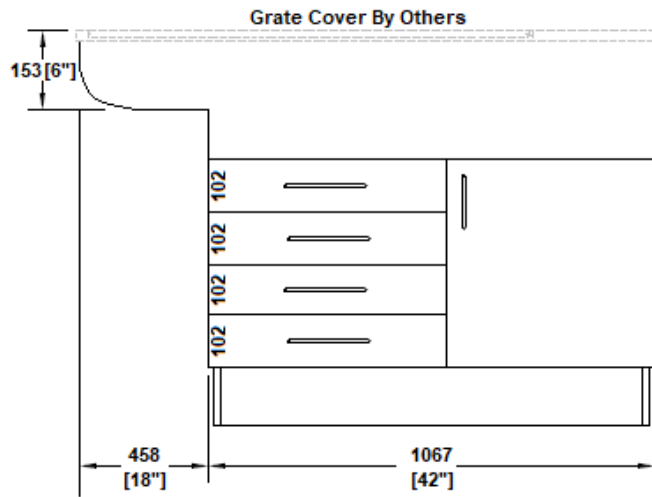


SEE VETERINARY CABINET OPTION PAGE FOR
 NUMEROUS MODULE CONFIGURATIONS



HEIGHT: 32" 36"
 DEPTH: 19" 24"
 COUNTER: SOLID SURFACE LAMINATE STONE COLOR: _____
 BASE COLOR: _____ ACCENT COLOR: _____
 FINISHED BACK: YES NO COLOR: _____ MONOTONE



PROJECT	VETERINARIAN CABINETS		DRAWING TITLE	WET PREP BASE	
DATE	28-FEB-20	SCALE	NTS		
CREATED NAME	WPB				