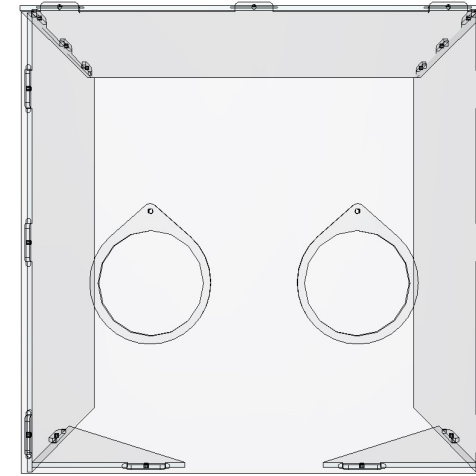
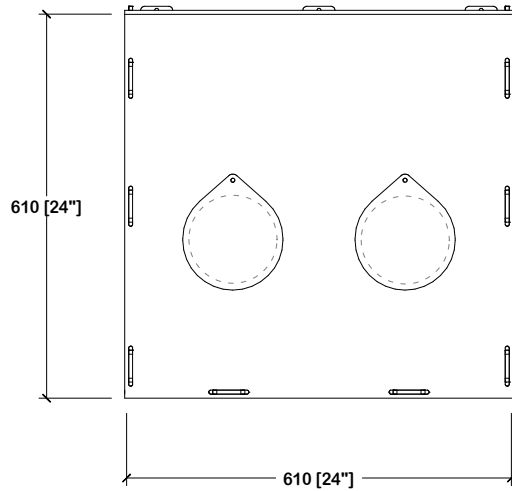


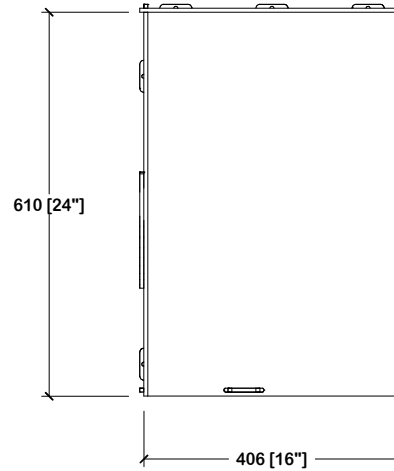
**PLAN VIEW**



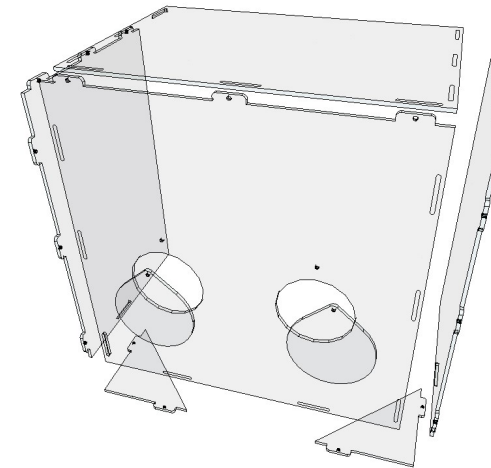
**ISOMETRIC VIEW**



**FRONT ELEVATION**



**END VIEW**



**EXPLODED VIEW**

**MATERIAL SPECIFICATIONS**

ALL PARTS: 6MM POLYCARBONATE



404 Prospect Ave, Oshtemo, IA, 50520  
Tel +1 306-483-5118 Fax +1 306-483-2102 Email: design@bowwood.net

DRAWING DETAIL  
INTUBATION COVER  
POLYCARBONATE SHIELD

DRAWING NAME  
**M0085**

DRAWN BY	DATE	SCALE	VIEW
W.S.	04/08/20	N.T.S.	AS SHOWN

© Copyright of Bow Wood Cabinet Systems. All Rights Reserved. No part of this drawing may be reproduced or distributed in any form without prior written permission from Bow Wood Cabinet Systems.